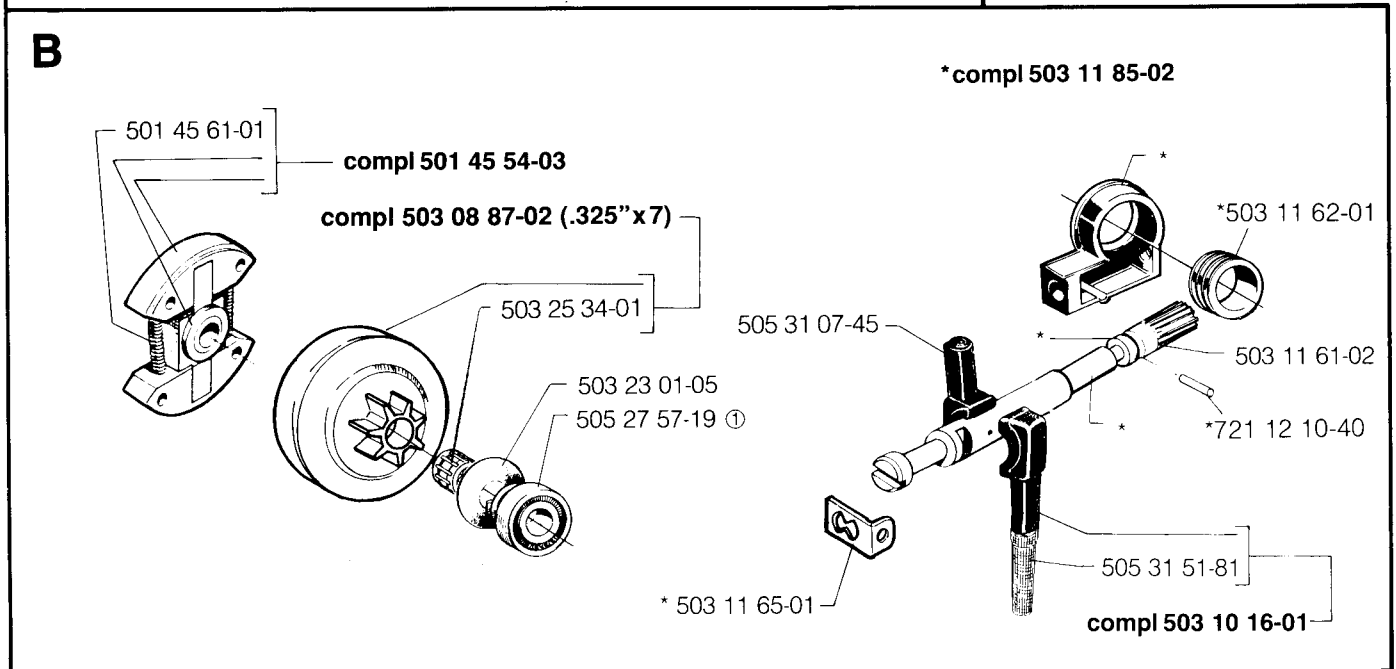
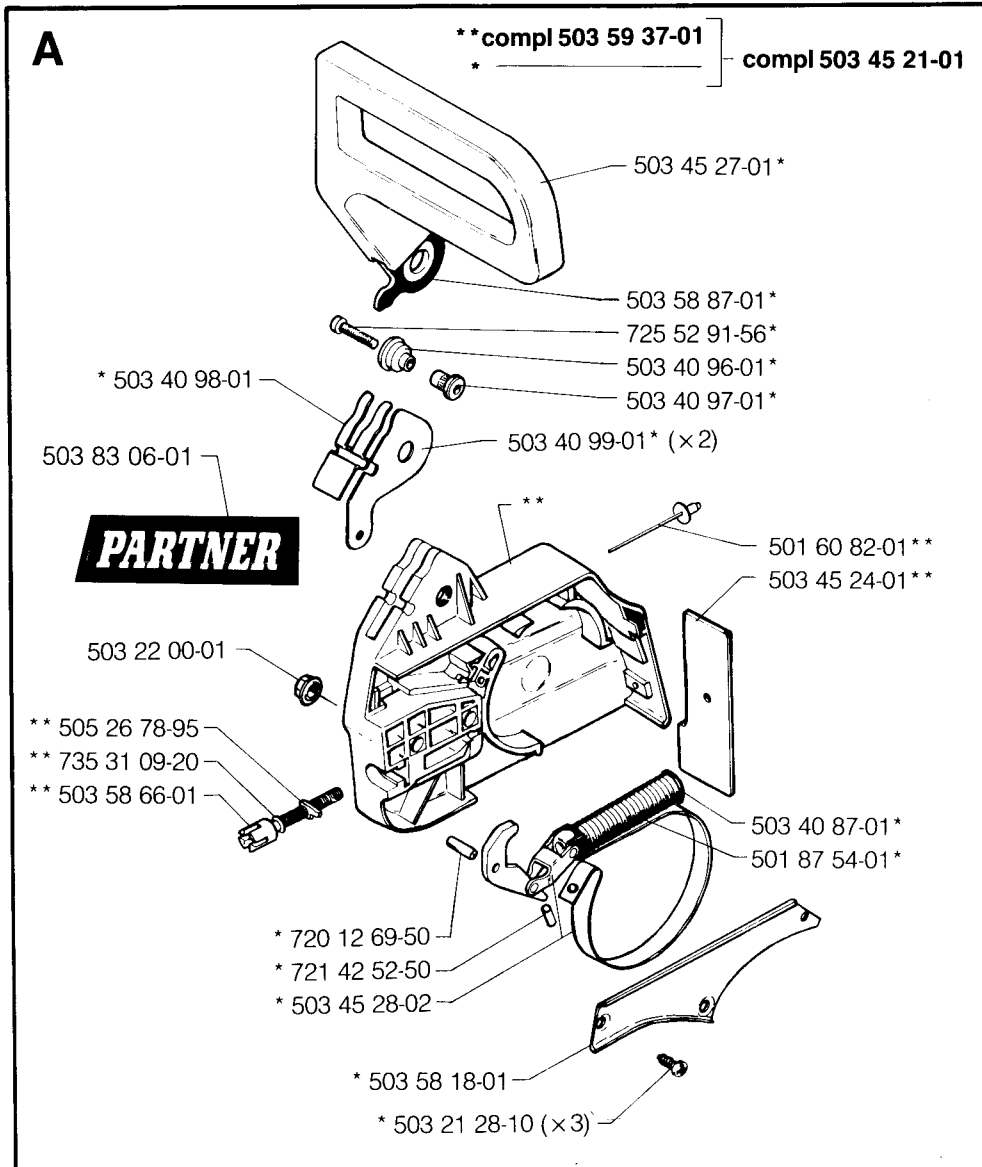
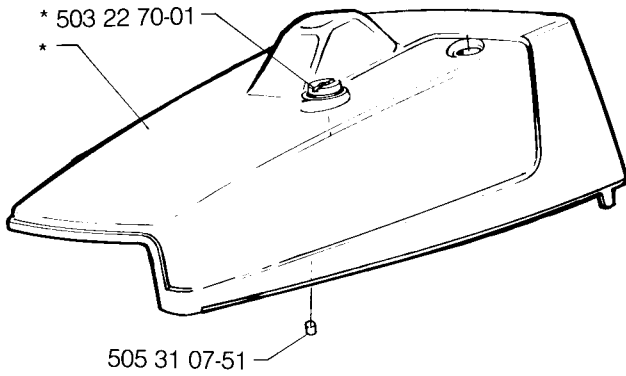
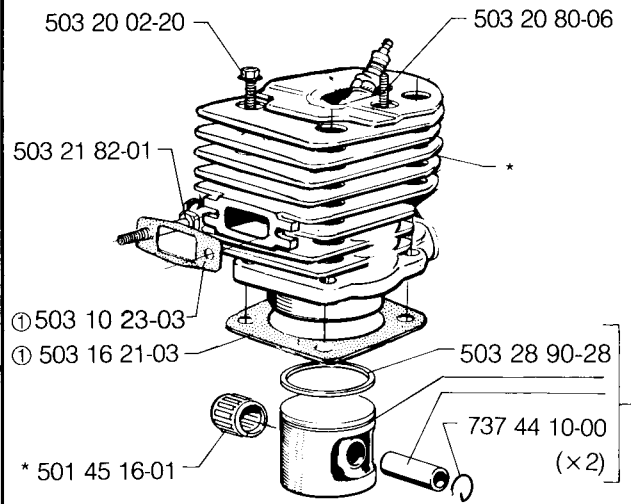
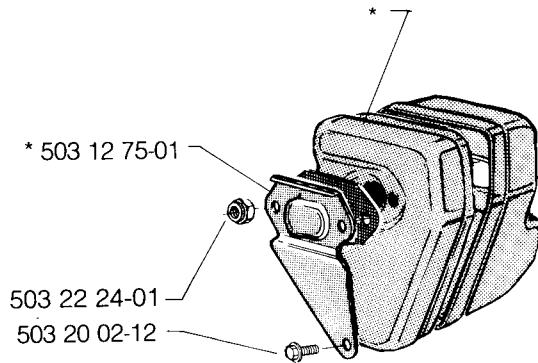
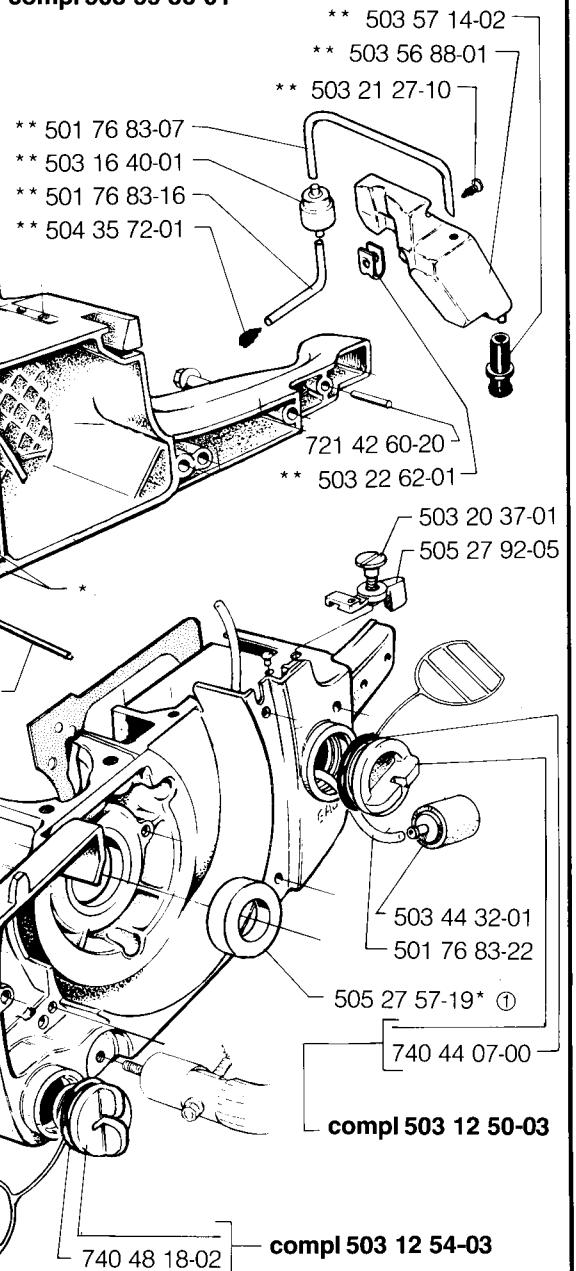
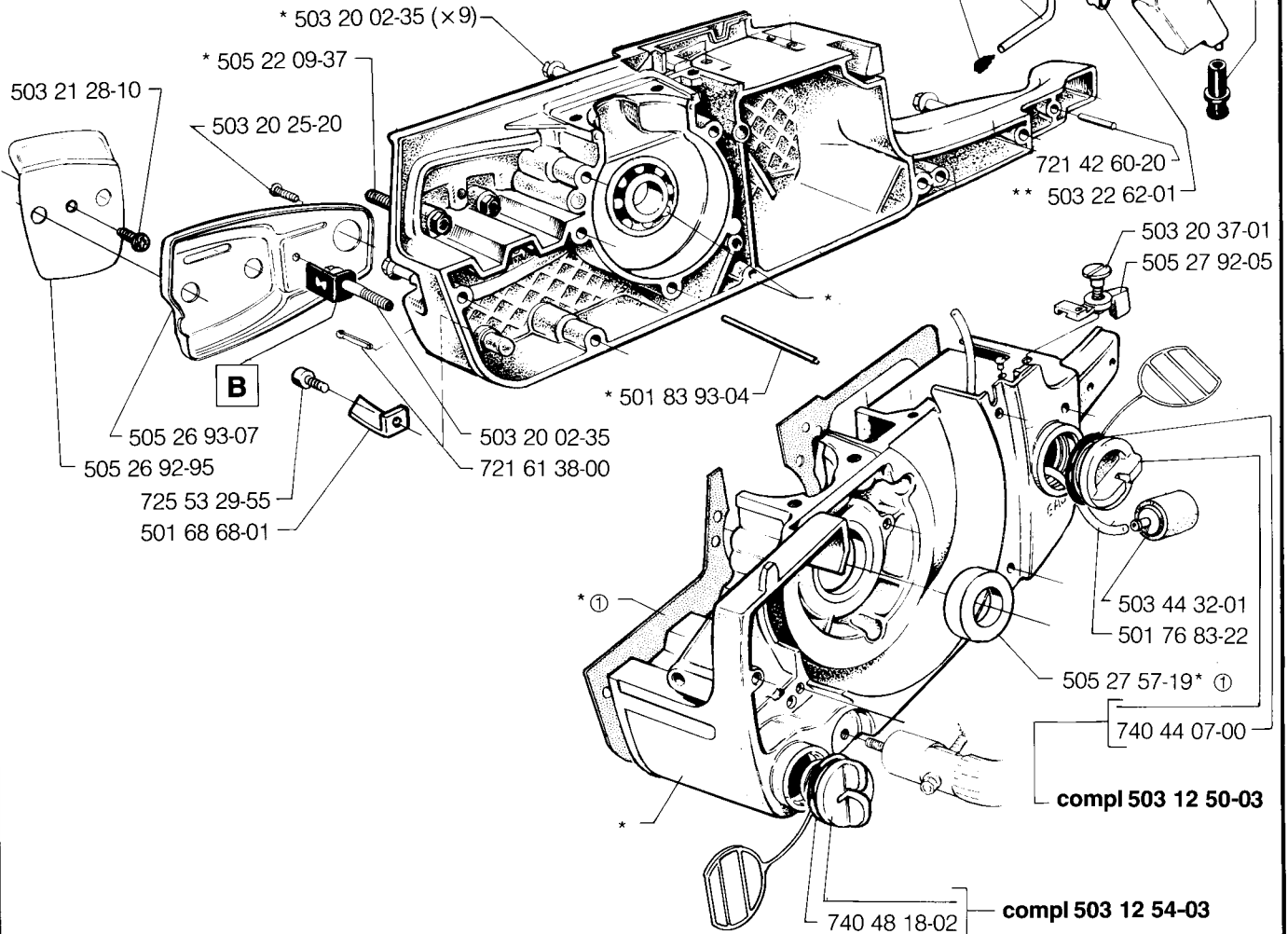
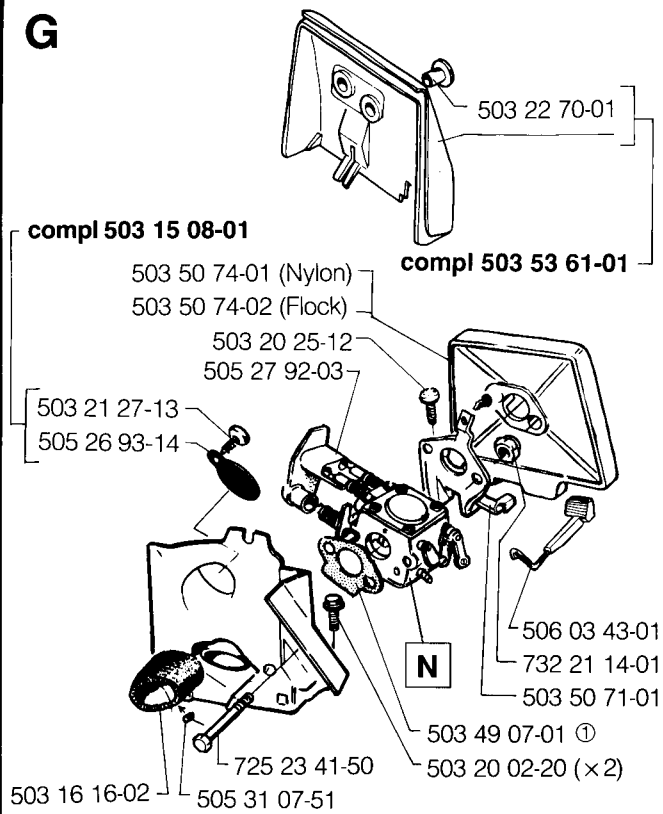
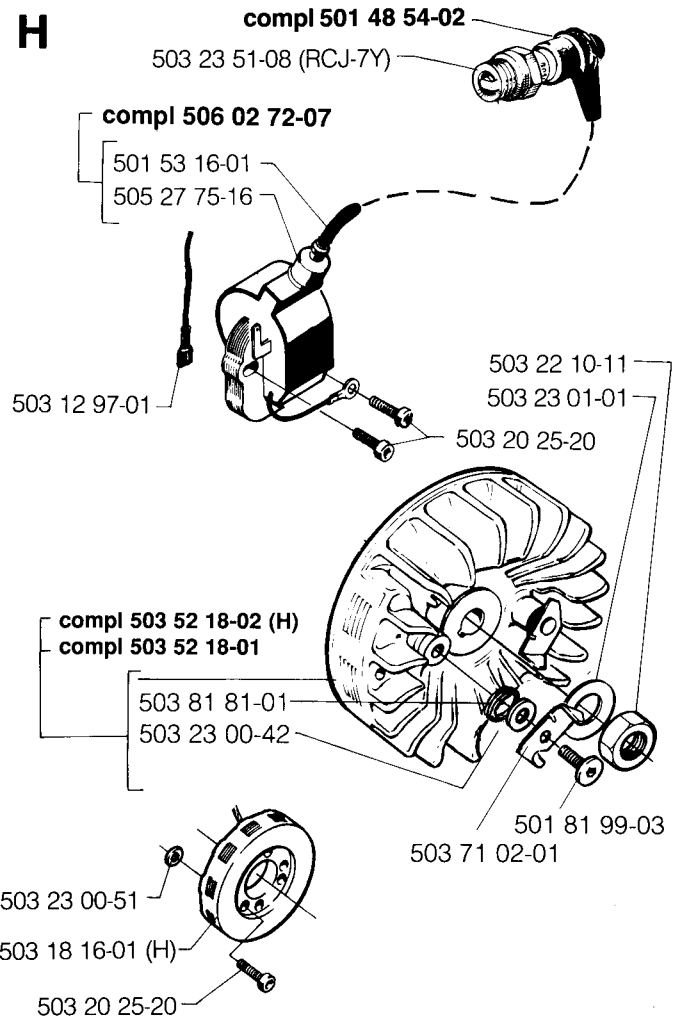
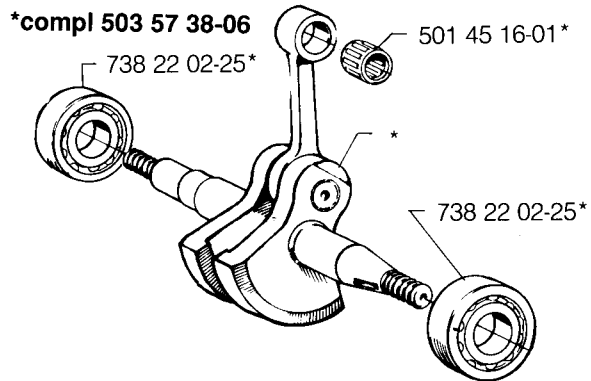
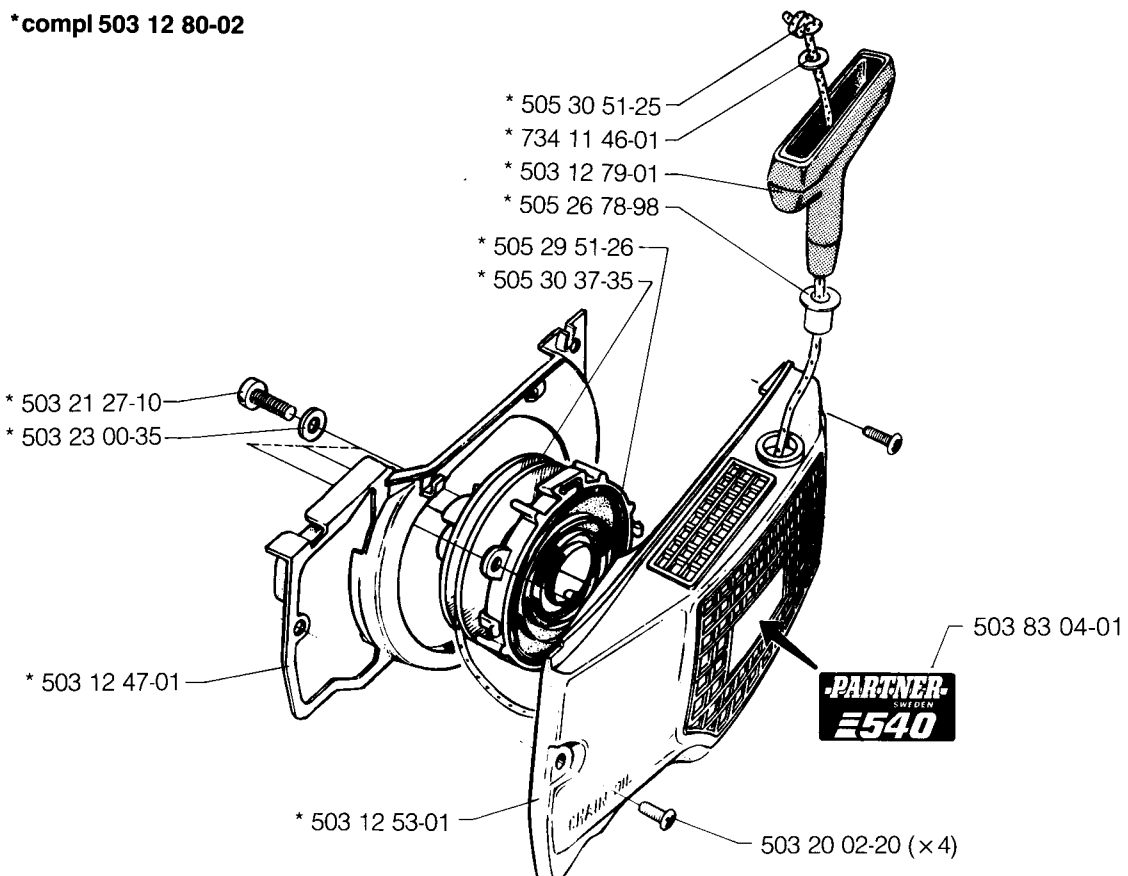




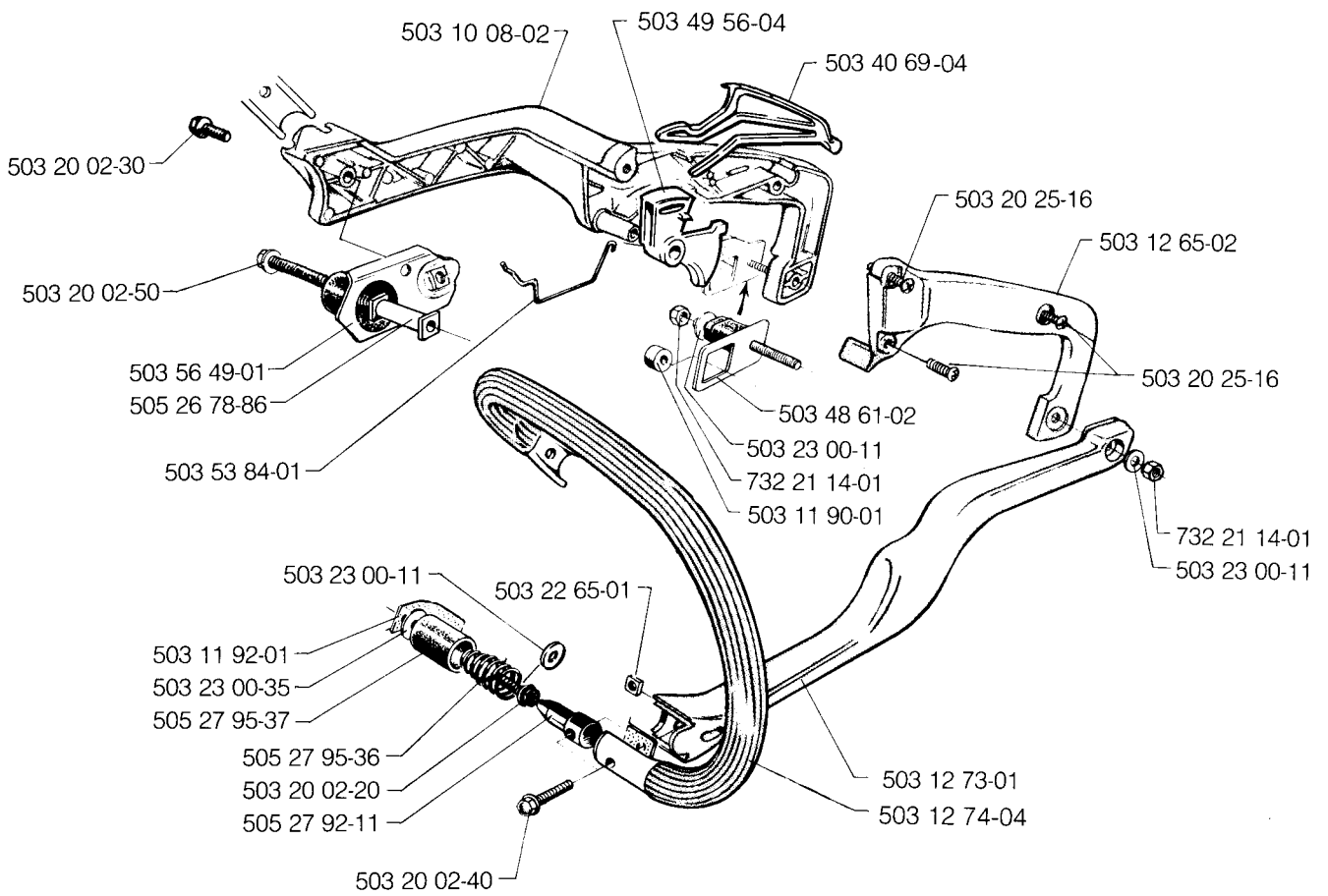
SPAREPARTS 107 25 93-62



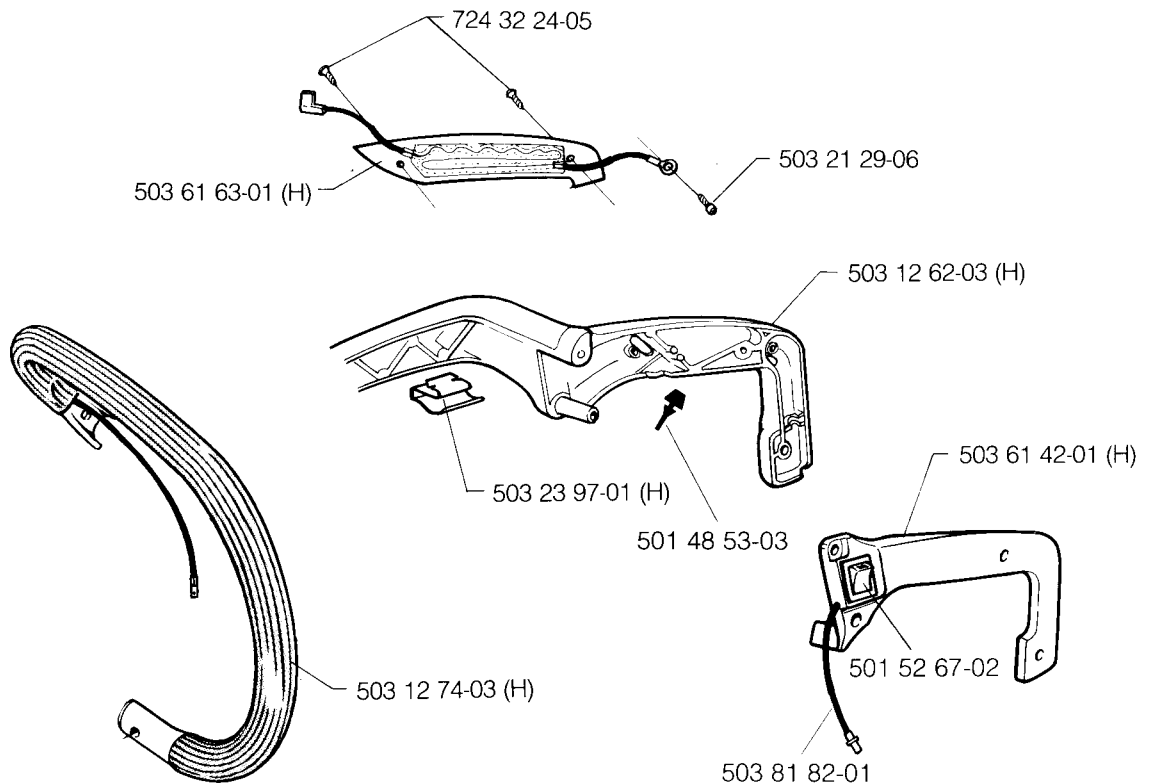
C***compl 503 12 60-09****D*****compl 503 60 91-02 (Ø 46 mm)****E*****compl 503 12 56-01*****compl 503 60 81-01 (Ø 46 mm)******compl 503 59 36-01****F*****compl 503 12 31-05**

G**H****J****K**

L



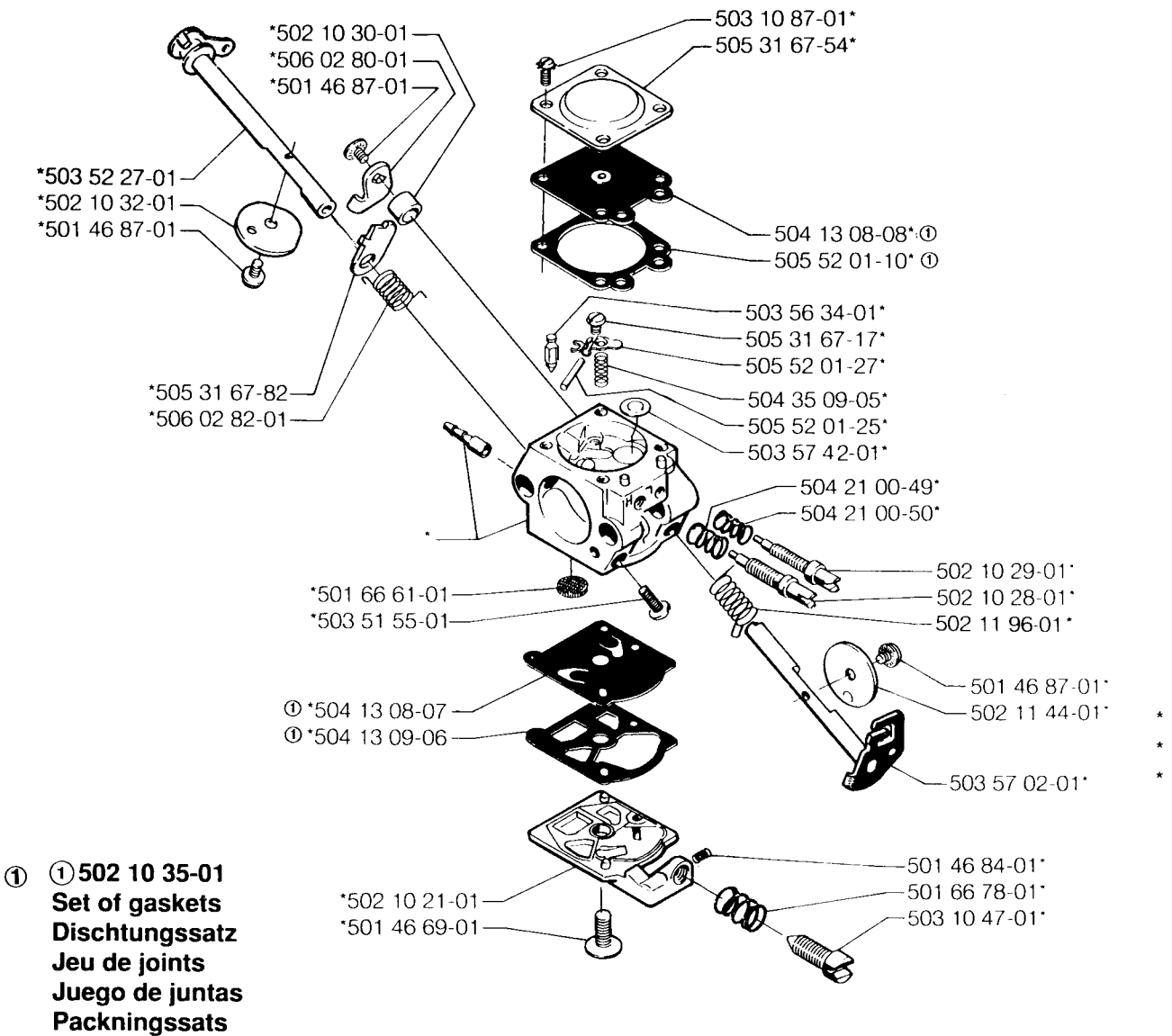
M



N

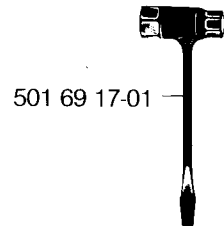
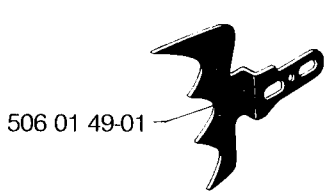
*compl 503 28 15-04

Walbro WT 170



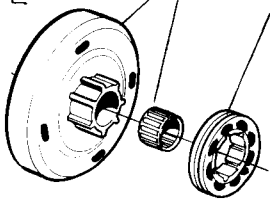
P

Accessories
Zubehöre
Accessoires
Acessorios
Tillbehör



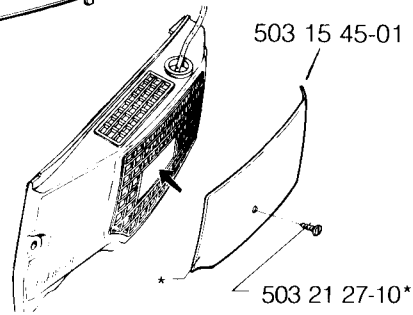
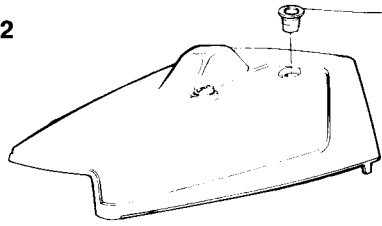
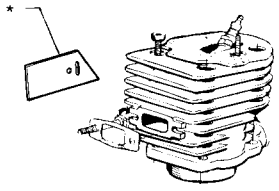
compl 503 41 40-01

- 505 30 36-72 (.325x8T)
- 501 45 74-02 (.325x7T)
- 503 25 34-01



***compl 503 15 44-02**

Vintersats
Winter equipment
Winterausrüstung
Equipment d'hiver



Partnumber	Square	Note	Partnumber	Square	Note	Partnumber	Square	Note	Partnumber	Square	Note
501 45 16-01	D,J		503 20 02-40	L		503 81 81-01	H	N			
501 45 54-03	B		503 20 02-50	L		503 81 82-01	M	N			
501 45 61-01	B		503 20 25-12	G		503 83 04-01	A,K	N			
501 45 74-02	P		503 20 25-16	L		504 13 08-07	N	N			
501 46 69-01	N		503 20 25-20	F,H		504 13 08-08	N	N			
501 46 81-01	N		503 20 37-01	F		504 13 09-06	N	N			
501 46 87-01	N		503 20 80-06	D		504 21 00-49	N				
501 48 53-03	M	N	503 21 27-10	F,K,P		504 21 00-50	N				
501 48 54-02	H		503 21 27-13	G		504 35 09-05	N				
501 52 67-02	M	N	503 21 28-10	A,F		504 35 72-01	F				
501 53 16-01	H		503 21 29-06	M		505 22 09-37	F				
501 60 82-01	A		503 21 82-01	D		505 26 78-86	L				
501 66 61-01	N		503 22 00-01	A		505 26 78-95	A				
501 66 78-01	N		503 22 24-01	E	N	505 26 78-98	K				
501 68 68-01	F		503 22 62-01	F		505 26 92-95	F				
501 69 17-01	P		503 22 70-01	C,G		505 26 93-07	F				
501 76 83-07	F		503 23 00-11	L		505 26 93-14	G				
501 76 83-16	F		503 23 00-35	K,L		505 27 57-19	B,F	1			
501 76 83-22	F		503 23 00-42	H	N	505 27 75-16	H				
501 81 99-03	H	N	503 23 00-51	H		505 27 92-03	G				
501 83 93-04	F		503 23 01-01	H		505 27 92-05	F				
501 87 54-01	A		503 23 01-05	B		505 27 92-11	L				
502 10 21-01	N		503 23 51-08	H		505 27 95-36	L				
502 10 28-01	N		503 23 97-01	M		505 27 95-37	L				
502 10 29-01	N		503 25 34-01	B,P		505 29 51-26	K				
502 10 30-01	N		503 27 90-03	P		505 30 36-72	P				
502 10 32-01	N		503 28 15-04	N	N	505 30 37-35	K				
502 10 35-01	N		503 28 90-28	D		505 30 51-25	K				
502 11 44-01	N		503 40 69-04	L	N	505 31 07-45	B				
502 11 96-01	N	N	503 40 87-01	A		505 31 07-51	C,G				
503 08 87-02	B		503 40 96-01	A		505 31 51-81	B				
503 10 08-02	L	N	503 40 98-01	A		505 31 67-17	N				
503 10 16-01	B		503 40 99-01	A		505 31 67-54	N				
503 10 23-03	D	1N	503 41 40-01	P		505 31 67-82	N				
503 10 47-01	N	N	503 44 32-01	F		505 52 01-10	N	N			
503 10 87-01	N		503 45 21-01	A		505 52 01-25	N				
503 11 61-02	B		503 45 24-01	A		505 52 01-27	N				
503 11 62-01	B	N	503 45 27-01	A		506 01 49-01	P				
503 11 65-01	B		503 45 28-02	A		506 02 72-07	H	N			
503 11 85-01	B		503 48 61-02	L		506 02 82-01	N				
503 11 90-01	L		503 49 07-01	G		506 03 43-01	G				
503 11 92-01	L		503 49 56-04	L	N	720 12 69-50	A				
503 12 31-05	F		503 50 71-01	G		721 12 10-40	B	N			
503 12 47-01	K		503 50 74-01	G		721 42 52-50	A				
503 12 50-03	F	N	503 50 74-02	G		721 42 60-20	F				
503 12 53-01	K		503 51 55-01	N	N	721 61 38-00	F				
503 12 54-03	F	N	503 52 18-01	H	N	724 32 24-05	M				
503 12 56-01	E	N	503 52 18-02	H	N	725 23 41-50	G				
503 12 60-09	C	N	503 52 27-01	N	N	725 52 91-56	A				
503 12 62-01	L		503 53 61-01	G	N	725 53 29-55	F				
503 12 62-03	M		503 53 84-01	L		732 21 14-01	G,L				
503 12 65-02	L		503 56 34-01	N		734 11 46-01	K				
503 12 73-01	L		503 56 49-01	L		735 31 09-20	A				
503 12 74-03	M		503 56 88-01	F		737 44 10-00	D				
503 12 74-04	L	N	503 57 02-01	N		738 22 02-25	J				
503 12 75-01	E		503 57 14-02	F		740 44 07-00	F				
503 12 79-01	K		503 57 38-06	J	N	740 48 18-02	F				
503 12 80-02	K		503 57 42-01	N	N						
503 12 97-01	H		503 58 18-01	A							
503 15 08-01	G		503 58 66-01	A							
503 15 44-02	P		503 58 87-01	A							
503 15 45-01	P	N	503 59 36-01	F							
503 1616-02	G		503 59 37-01	A							
503 16 21-03	D	1	503 60 81-01	D							
503 16 40-01	F		503 60 91-02	D							
503 18 16-01	H		503 61 42-01	M							
503 20 02-12	E		503 61 63-01	M							
503 20 02-20	D,G,K,L		503 71 02-01	H	N						
503 20 02-30	L										
503 20 02-35	F										

N = Ny detalj
New part
Neues teil
Nouvelle piece
Nueva pieza

1 = 503 43 83-01
Packningssats
Set of gaskets
Dichtungssatz
Jeu de joints
Juego de juntas